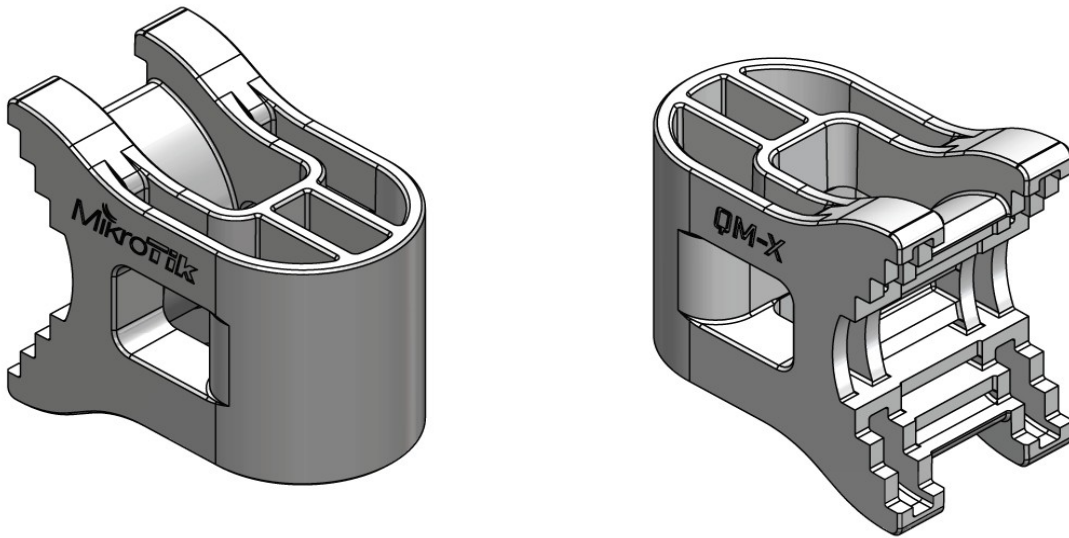


# QM-X

---



The QM-X is designed to be used with SXT sq series and DISC 5 series devices for stable mounting and easy adjustment.

## Mounting

1. Attach QM-X mount to the device.
2. Mount assembly to the mast or pole.
3. Secure Ethernet cable with zip ties to the installation infrastructure approximately 30 cm from the device.

*SXT sq added to the picture for illustration purposes.*



When mounting on the mast, please ensure that cable feed is pointing downwards.

Make sure if the desired device has needed water protection for outdoor usage.

The installation infrastructure (towers and masts), as well as the router itself, must be properly grounded.

## Accessories

Package includes the following accessories that come with the device:

- QM-X mount.
- Hose Clamp SUS304 (Phillips type; clamping diameter range 30-70 mm).

## Specifications

For more information about this product please visit our web page: [https://mikrotik.com/product/qm\\_x](https://mikrotik.com/product/qm_x)